



# Connections

VOLUME 16, ISSUE 11

THURSDAY, JUNE 04, 2009

## AND YOU THOUGHT THAT LAST SERMON SERIES WAS LONG!

My first bicycle ever was a Sears knock off of a *Stingray*: banana seat, extra long handle-bars, one speed with coaster brakes. I think for a period of about three years I lived on that bike. In fact, my parents were torn between taking me to a physical therapist or a psychologist to see if I still knew how to walk outside the house.



all the amazing things this new bike could do, but I had just grown so comfortable with my old bike. I just kept coming back again and again to what I knew and was used to. And seeing that I was entering adolescence,

I suppose it was just an added bonus that it also drove my parents crazy.

Preachers can be that way about scripture. Every pastor I know has a "Bible within the Bible or a Canon within Canon" that they turn to with much greater regularity than they'd like to admit. I'm not just talking about favorite passages, such as The Parable of the Prodigal Son or the 23<sup>rd</sup> Psalm. Over the last few years, I have found myself repeatedly digging and sifting through the gospels for

(Continued on page 2)

I think it wasn't until much later that I got one of those birthday/Christmas/confirmation presents of a new ten-speed. This was a nice, new bicycle. It was a Raleigh, British even. It was cherry red with gold lettering and had this amazing one-of-a-kind kickstand that let you work on front or back tires without flipping the whole bike upside down. There was nothing to dislike about this new bicycle, and there was everything to love.



And yet for six months or more, I never touched it. I rode it only when my mother came out on the front porch, put her hands on her hips, and scowled at the fact that she and my father had spent good money on the bike I said I wanted, but all I seemed to want to do was ride my old, beat up Stingray. You see, I appreciated



This photo was taken May 22 at the Indiana State Fairgrounds while **Fred Boyd** and **Carol Downard** were practicing their routine with the Purdue All-American Marching Band. They marched in the Indy 500 parade in downtown Indianapolis and also the parade at the 500 track on Sunday before the race. They both used this event as their excuse for missing services at St. Andrew on May 23. Fred's wife, Karma, reports that both of them survived the weekend and will be back at St. Andrew soon!

(Continued from page 1)

new insights and inspiration. Yes, part of that is tied up in our mission statement of "Becoming Like Jesus," but part of it is because it is the section of scripture I know best and appreciate most.

The Bible is a rich anthology of letters, poetry, history, biography, and law. It is so deep and rich that

Starting this Sunday with the book of Judges, we're going to take a journey that will travel the length and breadth of God's word. I really do think of it as an adventure that is long overdue for me personally and for us as a church.

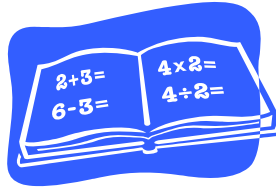
you can stop just about anywhere, dig beneath your feet, and strike spiritual "oil." But the Bible also has breadth as well. There is a lot in there. And too often, large

tracts of it go unexplored by our St. Andrew pastors.

Pat and I have made a commitment to preach out of each and every one of the Bible's 66 books over the next three years. We may turn to a book of the Bible because there is a word within it which addresses a sermon series we are in the midst of—or we may simply take a Sunday morning and dig into a key passage of a book we haven't preached from in a long time. The plan is to take just a few moments during worship and lay out some of the key ingredients to understanding the book's central themes and context. We will also have a link on our Church web page that will include that information in downloadable form as well as a few suggestions as to where to go in order to learn more.

Of course you can do the math yourselves.

But we will have to bring God's word out of



22 unique books of the Bible every 52 weeks over the next 156 Sundays. Call it a move in the direction of biblical literacy for our congregation at St. Andrew. Consider it a chance to hear a variety of ancient wisdom that may have, up to now, escaped your notice. Perhaps it is a statement about our belief that each and every portion of scripture is "God breathed" and inspired in its own way. But certainly it will be a challenge to Pat and myself to look beyond the scriptures we know and love so well. It will be a stretch for both of us, but in a way we both feel the need to be stretched.

It was inevitable, I suppose. I just got too big at 13 to ride a bike that was purchased for me when I was 5. I finally changed bikes and discovered that I could go places and do things with my new bike I could never have gone with my old bike. I nearly kicked myself for waiting

## CAMPERSHIPS FOR LUM

Lafayette Urban Ministry's Camp draws together some of the finest child educators and youth pastors our community has to offer. They're gifted in using music, art, and creative energy to teach and challenge the campers to try new things. There is a laughing contest to draw all the people closer together with the power of laughter. The leaders make sure that the serious things like morning chapel, educational enrichment, and learning skills are fun, also. This year at camp there will be a workshop to teach proper table etiquette to the campers—

so long to try something new.

Our hope is that none of us will ever outgrow the scriptures that are nearest and dearest to us, but we do reach a point in which we are ready to learn new insights as we hear and respond to a call for greater faithfulness. Starting this Sunday with the book of Judges, we're going to take a journey that will travel the length and breadth of God's word. I really do think of it as an adventure that is long overdue for me personally and for us as a church.

We hope you feel the same way and make it a priority to share this adventure with us. I would strongly recommend that each and every one of you bring a small notebook with you to worship. If you were to listen, take a few notes, and download a brief book by book summary of holy scripture—you could end up three years from now with a personalized journal/Bible guide of immense value.

I look forward to seeing you Sunday, somewhere between Gideon and Abimelech.



(Continued on page 5)



## TEXAS ROAD HOUSE TO SUPPORT FAMILY PROMISE

Texas Roadhouse will sponsor a fundraiser for Family Promise of Greater Lafayette (FPGL) on Monday, June 8. To participate, pick up a flyer in the church office and take it with you to the Texas Roadhouse in Lafayette between 4 and 10 p.m. that day. Texas Roadhouse will donate 10% of your purchase to FPGL! A win/win situation for all!

## ECHOES OF THE GOSPEL BOOK GROUP

### *Reader's Choice Meeting—Sunday, June 7*

Please join us, Sunday, June 7, from 6 to 7:30 p.m. at the church (in Adult Classroom I) when we meet to decide which books we will read together for the rest of the year. Bring a book or two to share, as prospective reads, with the rest of the group. It is a great way to setup our list for the year and get to know each other better. The only book we have already set is *Percepolis*, by Marjane Satrapi. This is the community "One Great Read" book, sponsored by the local libraries.

**Echoes of the Gospel** is a group that talks about books, applying the lens of our faith and our understanding of lessons we learn from the Bible. It is a "drop in" type group, and everyone is welcome to attend all meetings.



## COOKIES FOR VBS

Vacation Bible School is just around the corner, and final plans are coming together to host a great week for many children. The cooks for the teachers' luncheons are asking for cookies. If you would like to provide a package or two of cookies or bring a few dozen homemade cookies for the teachers and their kids, please feel free to do so. Just bring the nut free, peanut butter free cookies to the kitchen by June



14, and please put your name on them, as the provider. Thank you so much for your generosity.

## Experience & Discover God Everywhere

Vacation Bible School is fast approaching and St. Andrew is preparing, to present **Camp E.D.G.E.**

to our neighborhood and friends. In an effort to follow the theme for the week, we need to



borrow some things to help with decorating. If you have any of the following items and are willing to loan them for VBS the week of June 15-19, please contact Cindy Nycz at the church—497-7755.

Thanks for your help!

- 4-6 person tent
- kayak
- canoe
- raft/boat
- snow boards
- hiking backpacks
- canteens
- big outdoor cooking pots
- stuffed animals - woodland critters
- camp stools
- skis & ski poles
- hiking boots
- helmets for climbing
- inflatable or hard plastic kiddie pools
- artificial Christmas trees
- beach balls
- blind folds
- compasses
- volleyball net
- empty cereal boxes
- 30 stadium blankets

# Children's Ministries

**Thanks to the following people who have led Sunday School or Children's Worship this year. We really appreciate you!**

Sarah Vallier, Kate Springer, Marilyn Wood, Melissa Martin, Bob and Danya Cain, Kathy and Greg Dietz, Marla Soposky, Anne Carlson, Heather Screen, Anne Sommer, Michelle Akridge, Holly McDonald, Tim Baker, Sally Dunten, Trisha Borders, Julie Sommers, Beth Zeh, Susan Foster, Marilyn Korn, Barb Baugh, Kim Weston, Tanya Hummels, Carol Downard, Teresa Boaz, Brook Spenner, Kelley Okos, Pam Robertson, Kelli Bowen, Nancy and John Chapman, Melissa Deason, Dorothy Taylor, Pat Babbs, Bob Newlin, Becky and Roland Winger, Monica Arrowsmith, Trae Mitten, Marilyn Neie, Dan Soposky, and Vince Green.



## Power Xpress!

Children from preschool-fifth grade will meet in the children's area each Sunday at 10:00 and then will be directed to exciting lessons which will include cooking, games, crafts and much more. This will run from June-August. Sprouts will meet in their own room. In September students will move to classes based on their grade levels in school.

\*\*The Sunday after VBS and BreakAway children who just finished fifth grade will join the junior high Sunday School.

## Sprouts Teachers Needed For Summer!

We still need teachers for our Sprouts class (2-3 year olds) this summer for session #3 (July 19, 26 and August 2) and session #4 (August 9, 16 and 23). If you are not able to commit to an entire session please consider being a helper for a Sunday or two. Please contact Cindy Nycz as soon as possible if you are willing to help!

## VBS News!

We still need volunteers to help at VBS. Please contact Janet Fukada at 497-7960 or by email at [jfukada@verizon.net](mailto:jfukada@verizon.net) if you are able to help any or all days June 15-19. Also, please consider donating to VBS so we can continue to offer this program free of charge to all children. Thanks!

## TEAM ST. ANDREW TAKES ON INDY 100 TO FIGHT DIABETES



A team from St. Andrew has entered this year's American Diabetes Association's Tour de Cure to help raise funds for the fight against diabetes. The event will be held at the Indianapolis Motor Speedway on Saturday, June 13. As of late May, Team St. Andrew was leading the state in the amount of donations raised from a club or organization. It is terrific to see "St. Andrew" listed on the leaderboard e-mailed each week to all the participants.

This year the American Diabetes Association expects the Tour de Cure events (which are being held across the nation) to raise \$18 million.

Although hundreds of bicycle riders will be participating in the Indianapolis event, the St. Andrew cyclists are among just 100 riders who will attempt to ride 100 miles each within six hours on the IMS track.

Members of the St. Andrew team are David "Mario" Klendretti, Dr. Jim "A.J." Bien, Sue "Don't You Dare Call Me Danica" Burchill, David "Helio" Hummels, Dr. Michael "Lap Leader" Lockwood, and team captain Steve "Offenhauser" Tally.

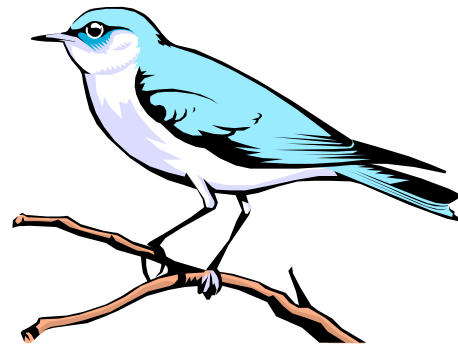
It's as unlikely that all six riders will make 100 miles as it is that all 33 cars in the Memorial Day race make it to 500 miles, but each of the riders is going to give it a try. Regardless, the team has already achieved success by helping to raise funds in the fight against diabetes.

Many in the St. Andrew community have already supported the team, but if you would like to donate, participate, or follow along on the team's progress, the St. Andrew web page is located at <http://bit.ly/ngO0m>. You will need to click on one of the rider's names, which will take you to a page where it says "click here to sponsor a rider."

*(Continued from page 2)*

complete with a marriage ceremony between Mr. Pepper and Ms. Salt!

A week at LUM Camp is an experience a child remembers and cherishes forever, and it is made possible through the contributions of many generous individuals in the community. A campership is \$130. LUM hopes you will consider providing a half or whole campership for one of the more than 100 needy children in the Lafayette area. You may send it to LUM through the church or send it directly to Lafayette Urban Ministry. Through the years, thousands of needy children have been enabled to grow, learn and laugh at LUM camp through your generosity.



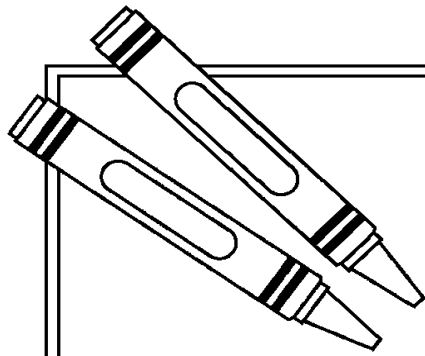
## BLUEBIRD INFO AND ETIQUETTE

We have two Bluebird boxes on our church property, built by Phil Klinger. The box next to the gazebo has a Bluebird pair currently building a *new* nest. The box out at the NW corner of the property has a tree swallow nesting in it.

Since St. Andrew lost their first family of Bluebirds, Pat Skifstad called and talked to Mary Cutler, the naturalist for Tippecanoe Co. Parks. She said it is hard to know what happened but indicated that too much activity around the box may have been a factor. Pesticides and herbicides may have been a factor, also. Bluebirds feed mainly on insects.

After the eggs are laid, incubation time is about 13-14 days. After hatching, the chicks will remain in the nest for 17-18 days. **After they have hatched, it is important to keep your distance from the nest or the chicks may fly from the nest prematurely.**

The boxes will be monitored. The best place to observe the Bluebirds is to sit very quietly in the gazebo and check them out with your binoculars.



# Just for **KIDS**

## Who were Jesus' friends?

Jesus spent a lot of time with his friends.  
Whom did Jesus consider his friends?

Beginning at the arrow and moving clockwise,  
write every other letter on the spaces below.



Y O O U U D A O R W E H M A Y T F I R C I O E M N M D A S N I D F Y

“ Y \_\_\_\_\_  
\_\_\_\_\_  
\_\_\_\_\_  
\_\_\_\_\_”

John 15:14

Answer: You are my friends if you do what I command.

# June 2009

Sunday	Monday	Tuesday	Wednesday	Thursday	Friday	Saturday
<b>31</b> 	<b>1</b> <b>Newsletter Articles Due</b> <b>7:00 PM</b> Boy Scout Troop Comm. Mtg. <b>7:00 PM</b> Prayer Shawl Ministry <b>7:00 PM</b> Simply People Puppets 	<b>2</b> <b>7:00 AM</b> Staff/Parish <b>10:00 AM</b> Traditional Worship Planning Team <b>11:00 AM</b> Staff meeting <b>12:30 PM</b> Praise <b>4:30 PM</b> Bulletin Announcements due <b>5:45 PM</b> Patrol Leader's Conference meeting <b>7:00 PM</b> Boy Scouts	<b>3</b> 	<b>4</b> <b>Newsletter Published</b> <b>6:00 PM</b> Tippecanoe Fly Fishing Fellowship <b>6:30 PM</b> Praise Team Rehearsal	<b>5</b> <b>6:00 PM</b> Fuller/Blosser Wedding Rehearsal	<b>6</b> <b>9:00 AM</b> CASA Fundraiser mtg <b>4:00 PM</b> Fuller/Blosser Wedding <b>6:00 PM</b> CRoads Family Picnic 
<b>7</b> <b>8:45 AM</b> Traditional Worship <b>10:00 AM</b> Crew Leader Training <b>10:00 AM</b> Sunday School <b>11:00 AM</b> Praise Worship <b>6:00 PM</b> C.I.A. Youth <b>6:00 PM</b> T.O.M. Youth	<b>8</b> <b>7:00 PM</b> Boy Scout Troop meeting <b>7:00 PM</b> Campaign Completion Team <b>7:00 PM</b> Simply People Puppets <b>7:00 PM</b> Trustees meeting	<b>9</b> <b>11:00 AM</b> Staff meeting <b>12:30 PM</b> Praise <b>4:00 PM</b> Traditional Worship Planning <b>4:30 PM</b> Bulletin Announcements due <b>7:00 PM</b> Boy Scouts	<b>10</b> <b>7:00 PM</b> Crew Leader Training	<b>11</b> <b>9:00 AM</b> VBS Craft <b>6:00 PM</b> Scrapbook Workshop <b>6:30 PM</b> Praise Team Rehearsal	<b>12</b> <b>2:00 PM</b> BreakAway Decorating	<b>13</b> <b>9:00 AM</b> Vacation Bible School Decorating
<b>14</b> <b>Flag Day</b>  <b>8:45 AM</b> Traditional Worship <b>10:00 AM</b> Sunday School <b>11:00 AM</b> Praise Worship <b>6:00 PM</b> C.I.A. Youth <b>6:00 PM</b> T.O.M. Youth	<b>15</b> <b>12:30 PM</b> BreakAway <b>12:30 PM</b> Vacation Bible School <b>7:00 PM</b> Amphitheater meeting 	<b>16</b> <b>10:00 AM</b> Traditional Worship Planning <b>11:00 AM</b> Staff meeting <b>12:30 PM</b> BreakAway <b>12:30 PM</b> Praise <b>12:30 PM</b> Vacation Bible School <b>4:30 PM</b> Bulletin Announcements due <b>7:00 PM</b> Boy Scouts	<b>17</b> <b>12:30 PM</b> Break-Away <b>12:30 PM</b> Vacation Bible School <b>7:30 PM</b> Community Ministries 	<b>18</b> <b>12:30 PM</b> Break-Away <b>12:30 PM</b> Vacation Bible School <b>6:30 PM</b> Praise Team Rehearsal	<b>19</b> <b>12:30 PM</b> BreakAway <b>12:30 PM</b> Vacation Bible School <b>7:00 PM</b> Jr. High Lock-in 	<b>20</b> <b>11:30 AM</b> Medaris Bridal Shower
<b>21</b> <b>Father's Day First Day of Summer</b> <b>8:45 AM</b> Traditional Worship <b>10:00 AM</b> Sunday School <b>11:00 AM</b> Praise Worship <b>6:00 PM</b> T.O.M. Youth 	<b>22</b> <b>Newsletter Articles Due</b> <b>Newsletter Deadline</b> 	<b>23</b> <b>10:00 AM</b> Traditional Worship Planning <b>11:00 AM</b> Staff meeting <b>12:30 PM</b> Praise <b>4:30 PM</b> Bulletin Announcements due <b>7:00 PM</b> Administrative Board meeting <b>7:00 PM</b> Boy Scouts	<b>24</b> 	<b>25</b> <b>Newsletter Published</b> <b>6:30 PM</b> Praise Team Rehearsal	<b>26</b> <b>7:00 AM</b> Kitchen Cabinet	<b>27</b> 
<b>28</b> <b>8:45 AM</b> Traditional Worship <b>10:00 AM</b> Sunday School <b>11:00 AM</b> Praise Worship <b>6:00 PM</b> C.I.A. Youth <b>6:00 PM</b> T.O.M. Youth	<b>29</b> 	<b>30</b> <b>10:00 AM</b> Traditional Worship Planning <b>11:00 AM</b> Staff meeting <b>12:30 PM</b> Praise <b>4:30 PM</b> Bulletin Announcements due <b>7:00 PM</b> Boy Scouts	<b>1</b> 	<b>2</b> <b>6:00 PM</b> Tippecanoe Fly Fishing Fellowship <b>6:30 PM</b> Praise Team Rehearsal 	<b>3</b> 	<b>4</b> <b>Independence Day</b>

# St. Andrew Connections

St. Andrew United Methodist Church  
4703 N. 50 W.  
West Lafayette, IN 47906  
Thursday, June 04, 2009

RETURN SERVICE REQUESTED

NON-PROFIT ORG.  
U. S. POSTAGE  
PAID  
Lafayette, Indiana  
PERMIT NO. 54

## ST. ANDREW CONNECTIONS

St. Andrew UMC  
Phone: 497-7755  
Traditional Worship: Sunday 8:45 a.m.  
Contemporary Worship: Sunday 11:00 a.m.  
The Fusion Worship: Wednesday 7:00 p.m.  
Sunday School: 10:00 a.m. Childcare provided at all times

### Who Is This Famous Celebrity?

A prize to the first correct answer called in to Donna at 497-7755.



### Staff

Pastor:	Tim Burchill
CrossRoads Pastor:	Pat Sleeth
Administrative Secretary:	Donna Biehl
Financial/Office Asst:	Melissa Martin
Dir. of Children's Ministry:	Cindy Nycz
Director of Music:	Dave Evans
Interim Praise Team Dir.:	Dave Evans
Organist/Pianist:	LuAnn Boggess
Asst. Organist/Pianist:	Lisa Tally
Joyful Sound Director:	Jeni Leaird
Caretaker:	Linda Hamilton

### E-Mail Addresses

tim@andrew-umc.org
pat@andrew-umc.org
donna@andrew-umc.org
melissa@andrew-umc.org
cindy@andrew-umc.org
dave@andrew-umc.org
dave@andrew-umc.org
luann@andrew-umc.org
lisa@andrew-umc.org
jeni@andrew-umc.org
lindazplace@verizon.net

You can continue to access our web page at <http://andrew-umc.org>